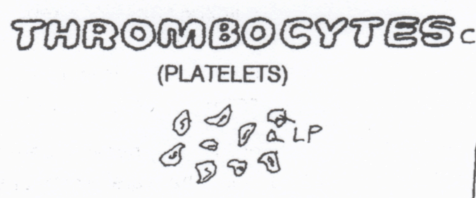
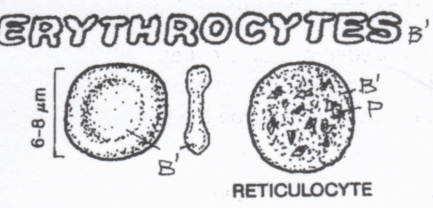
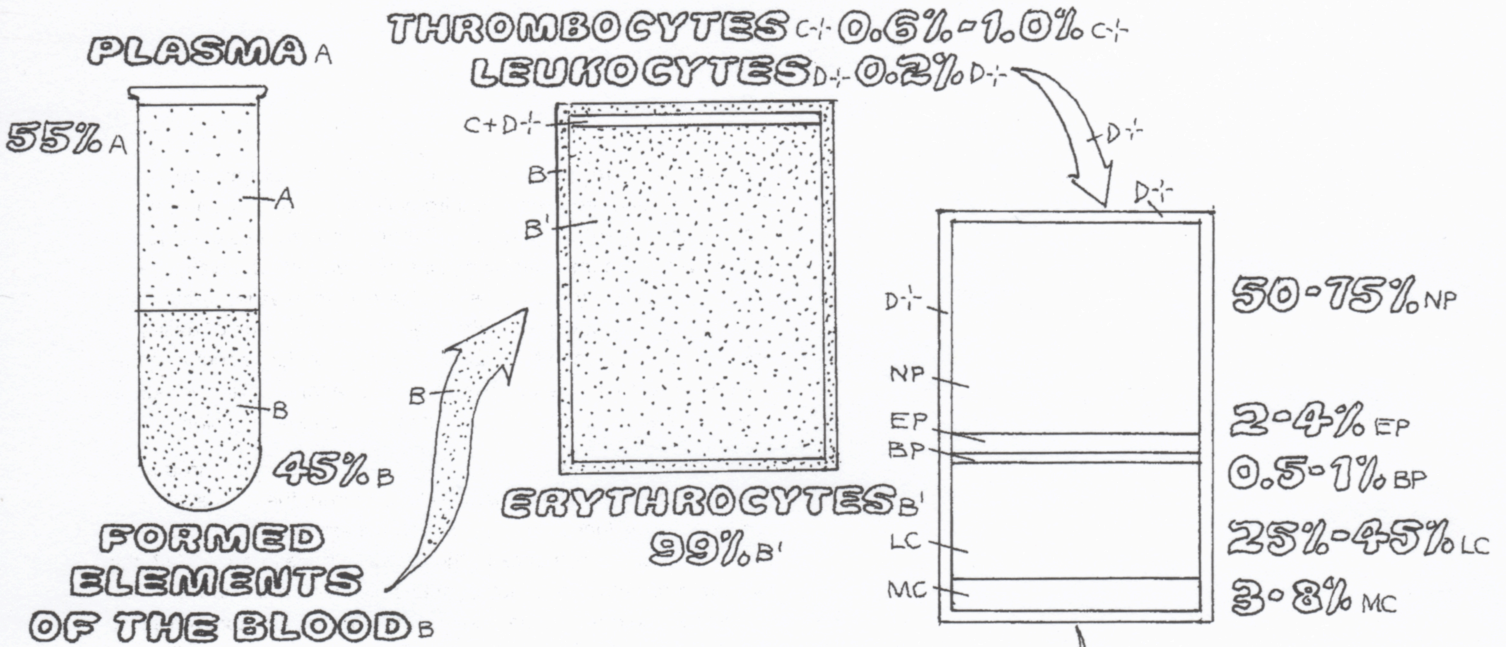


CN: (1) Color the names and percentages of A and B and the contents of A and B of the tube at left yellow and red, respectively. (2) Color the large arrow B pointing to the middle rectangular tube; color the name and percentage B¹, the border B of the middle tube and its primary contents, B¹. Do not color the names and percentages at the top of the middle tube. (3) Color the name "Thrombocytes," C, and particles in the center of the

page. (4) Leave the name "Leukocytes" below uncolored; color the six leukocytes below according to the color code: B blue, LB light blue, O orange, LO light orange, P purple, DP dark purple, LP light purple. Stipple the granules with the darkest color. (5) Color the five bands of leukocytes in the tube at upper right reflecting the relative distribution of these cells and their percentages in peripheral blood.



LEUKOCYTES D⁺
(WHITE BLOOD CELLS)

